

Technical data sheet

Product features



Combi convection steam oven STEAMBOX electric 10x GN 2/1 automatic cleaning boiler 400 V

Model	SAP Code	00008522
--------------	-----------------	----------



- Steam type: Symbiotic - boiler and injection combination (patent)
- Number of GN / EN: 10
- GN / EN size in device: GN 2/1
- GN device depth: 65
- Control type: Touchscreen + buttons
- Display size: 9"
- Humidity control: MeteoSystem - regulation based on direct measurement of humidity in the chamber (patented)
- Advanced moisture adjustment: Steamtuner - 5-stage system of setting steam saturation by controlled combination of production by boiler or injection
- Delta T heat preparation: Yes
- Automatic preheating: Yes
- Multi level cooking: Drawer program - control of heat treatment for each dish separately
- Door constitution: Vented safety double glass, removable for easy cleaning

SAP Code	00008522	Steam type	Symbiotic - boiler and injection combination (patent)
Net Width [mm]	1120	Number of GN / EN	10
Net Depth [mm]	845	GN / EN size in device	GN 2/1
Net Height [mm]	1115	GN device depth	65
Net Weight [kg]	220.00	Control type	Touchscreen + buttons
Power electric [kW]	28.300	Display size	9"
Loading	400 V / 3N - 50 Hz		

Technical data sheet

Technical drawing

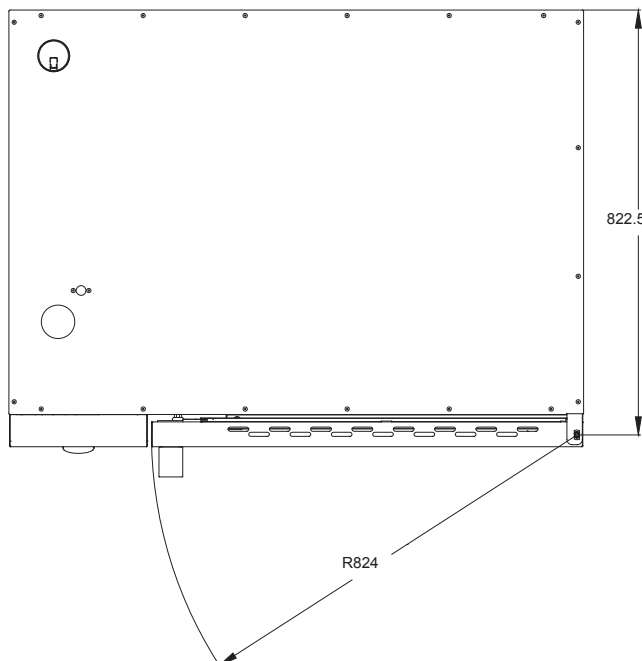
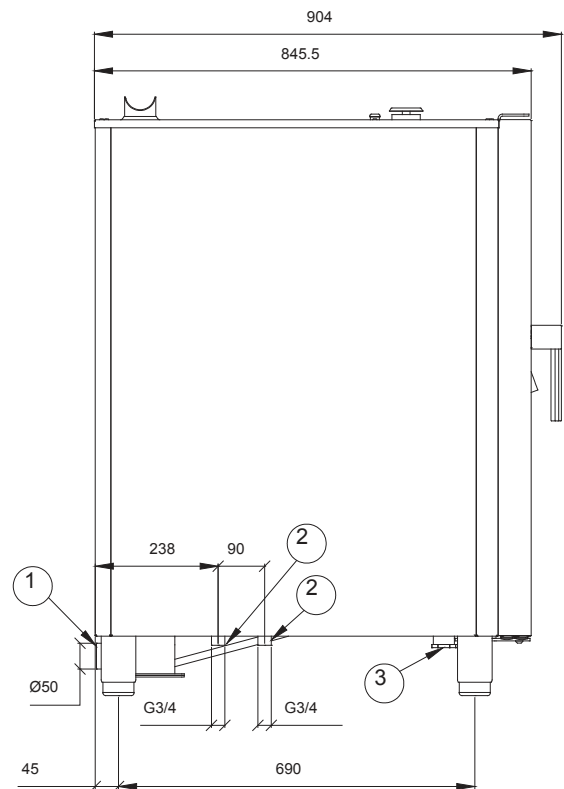
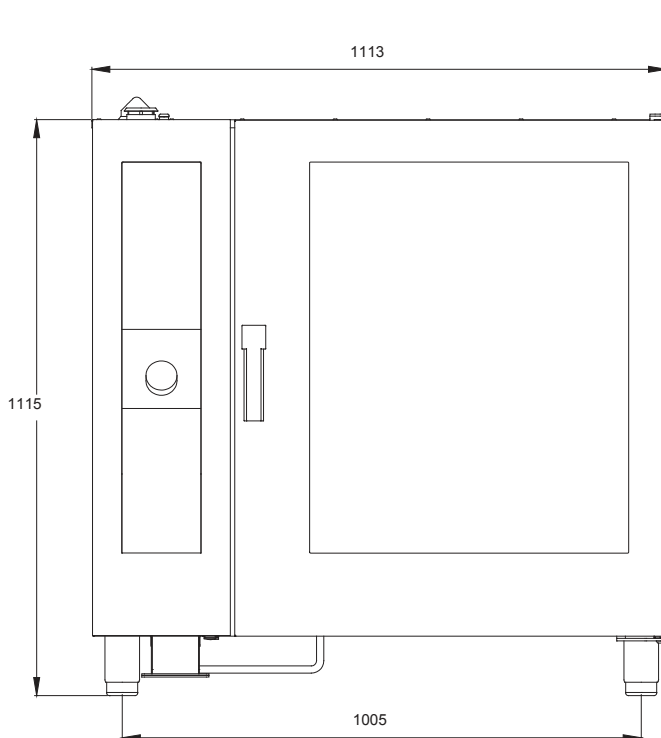


Combi convection steam oven STEAMBOX electric 10x GN 2/1 automatic cleaning boiler 400 V

Model

SAP Code

00008522



- ① DRAIN
- ② WATER INLET
- ③ POWER SUPPLY

Technical data sheet

Product benefits



Combi convection steam oven STEAMBOX electric 10x GN 2/1 automatic cleaning boiler 400 V

Model

SAP Code

00008522

1

A symbiotic steam generation system

simultaneous use of direct injection and boiler, maintenance of 100% humidity, possibly its regulation the only Slim type combi oven on the market with a boiler

- preparation of different dishes and cooking styles in an environment precisely set for the food or dish

2

Touch screen display

simple intuitive control with unique pictograms, all in Czech the possibility of using preset programs or manual control

- help with cooking even for less skilled cooks, safe baking even in the absence of an operator; create your own recipes; easy to use

3

Weather system

patented device for measuring steam saturation in real time and in steam mode, the only one on the market

- precise information for the operator about the steam saturation in the cooking area

4

Steam tuner

a control element that enables setting the exact saturation of steam in the cooking chamber during the cooking process

- possibility of cooking different types of cuisine, from very moist steam for typical Czech dishes to low-saturated steam for e.g. French cuisine

5

Pass-through door

the door is also built into the back of the combi oven, while full control is retained from the side of the cook enables the distribution of the delivery area and the kitchen

- the chef can dispense the food through the convecto machine, the customer can see the preparation and maintenance of the food during dispensing

6

Adaptation for roasting chickens

the chamber of the convection oven is designed to collect baked fat, the machine is equipped with a container for collecting fat

- grease does not drain into the sewer, does not destroy the machine's waste system

7

A kit of two machines on top of each other

connection kit allowing two machines to be placed on top of each other connects the connections, inlets, wastes and ventilation of the lower combi oven

- allows the user to place two machines in smaller spaces to increase production; the chef can prepare two different dishes simultaneously

8

Premix burner

the only burner with a turbo pre-mixing gas with air on the market

the structure of the burner to V which prevents backfill and banging

This design saves 30 % of gas compared to conventional burners

- faster heat-up faster more comfortable operation

9

Automatic washing

integrated chamber washing system possibility to use liquid and tablet detergents option to use vinegar as a rinse agent the system simultaneously descales the micro-boiler

- the chamber of the conveyer is washed without the presence of the operator, for example overnight; the system decalcifies the micro-boiler without the need for service intervention; the chamber is maintained in a constant 1% hygienic quality

10

Self-supporting shower

drum winch integrated in the body of the kettle the shower is inaccessible when the door is closed

- allows food in the food processor to be rinsed out - if necessary to speed up cooling

11

Six-speed fan, reversible with automatic calculation of direction change

in cooperation with the symbiotic system, it ensures perfect steam distribution without losing its richness its operation is controlled by the program or manually

- allows the preparation of a variety of dishes from the most delicate to high temperature baking at the highest speed

Technical data sheet

Technical parameters



Combi convection steam oven STEAMBOX electric 10x GN 2/1 automatic cleaning boiler 400 V

Model

SAP Code

00008522

1. SAP Code:

00008522

2. Net Width [mm]:

1120

3. Net Depth [mm]:

845

4. Net Height [mm]:

1115

5. Net Weight [kg]:

220.00

6. Gross Width [mm]:

1320

7. Gross depth [mm]:

1130

8. Gross Height [mm]:

1240

9. Gross Weight [kg]:

230.00

10. Device type:

Electric unit

11. Power electric [kW]:

28.300

12. Loading:

400 V / 3N - 50 Hz

13. Material:

AISI 304

14. Exterior color of the device:

Stainless steel

15. Adjustable feet:

Yes

16. Humidity control:

MeteoSystem - regulation based on direct measurement of humidity in the chamber (patented)

17. Stacking availability:

Yes

18. Control type:

Touchscreen + buttons

19. Additional information:

possibility of reverse door opening - handle on the right side (must be specified when ordering)

20. Steam type:

Symbiotic - boiler and injection combination (patent)

21. Chimney for moisture extraction:

Yes

22. Delayed start:

Yes

23. Display size:

9"

24. Delta T heat preparation:

Yes

25. Automatic preheating:

Yes

26. Automatic cooling:

Yes

Technical data sheet

Technical parameters



Combi convection steam oven STEAMBOX electric 10x GN 2/1 automatic cleaning boiler 400 V

Model

SAP Code

00008522

27. Cold smoke-dry function:

Yes

28. Unified finishing of meals EasyService:

Yes

29. Night cooking:

Yes

30. Washing system:

Closed - efficient use of water and washing chemicals by repeated pumping

31. Detergent type:

Liquid washing detergent + liquid rinse aid/vinegar or washing tablets

32. Multi level cooking:

Drawer program - control of heat treatment for each dish separately

33. Advanced moisture adjustment:

Steamtuner - 5-stage system of setting steam saturation by controlled combination of production by boiler or injection

34. Slow cooking:

from 30 °C - the possibility of rising

35. Fan stop:

Immediate when the door is opened

36. Lighting type:

LED lighting in the doors, on both sides

37. Cavity material and shape:

AISI 304, with rounded corners for easy cleaning

38. Reversible fan:

Yes

39. Sustance box:

Yes

40. Heating element material:

Incoloy

41. Probe:

Yes

42. Shower:

Hand winder

43. Distance between the layers [mm]:

70

44. Smoke-dry function:

Yes

45. Interior lighting:

Yes

46. Low temperature heat treatment:

Yes

47. Number of fans:

1

48. Number of fan speeds:

6

49. Number of programs:

1000

50. USB port:

Yes, for uploading recipes and updating firmware

51. Door constitution:

Vented safety double glass, removable for easy cleaning

52. Number of preset programs:

100

Technical data sheet

Technical parameters



Combi convection steam oven STEAMBOX electric 10x GN 2/1 automatic cleaning boiler 400 V

Model

SAP Code

00008522

53. Number of recipe steps:

9

54. Minimum device temperature [°C]:

30

55. Maximum device temperature [°C]:

300

56. Device heating type:

Combination of steam and hot air

57. HACCP:

Yes

58. Number of GN / EN:

10

59. GN / EN size in device:

GN 2/1

60. GN device depth:

65

61. Food regeneration:

Yes

62. Cross-section of conductors CU [mm²]:

10

- Výkon (kW): 5,7-6,6 (230 V); 9,8-11 (400 V)

63. Diameter nominal:

DN 50

64. Water supply connection:

3/4"